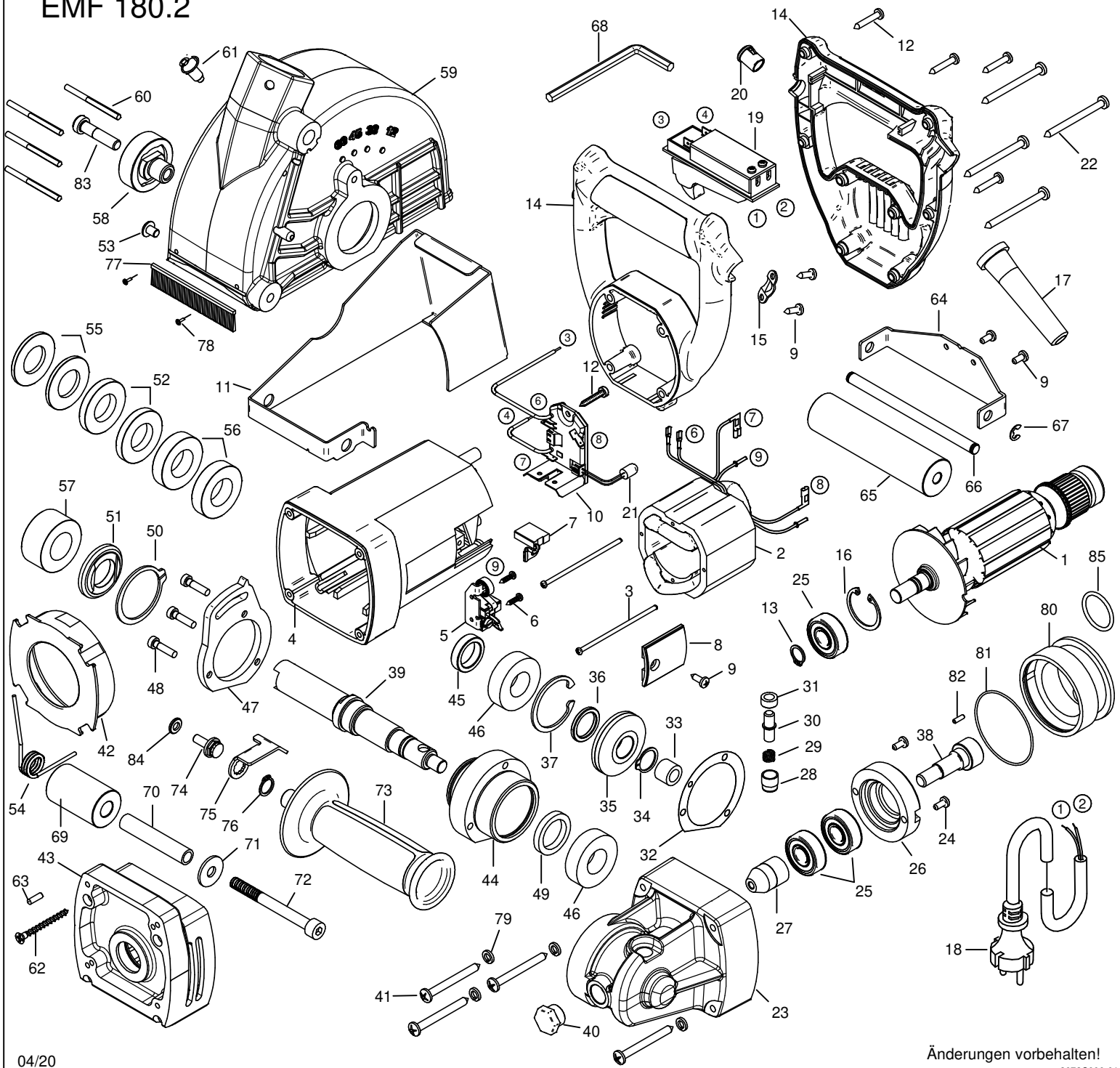




EMF 180.2





0672C000

## EMF 180.2 - 230 V

Version

01

Dated: 25.01.2022

Pos.	Description	Item No.	pc.
1	Rotor, compl. 230V	76721100	1
2	Stator, compl. 230V	7363N150	1
3	Screw 3x78	80201234	2
4	Motor housing	80900069	1
5	Brush holder, compl.	80201199	2
6	Screw 2,9x13	80201252	4
7	Carbon brush 6,3x16x20	80700044	2
8	Brush cover	80900073	2
9	Screw 4,2x13	80201270	6
10	Printed circuit board 230V	80601155	1
11	Dust protection	7672C650	1
12	Screw 4,2x25	80201273	6
13	Retaining ring 12x1	80201321	1
14	Handle segment	80900268	1
15	Wire locking flange	85000020	1
16	Retaining ring 32x1,2	80201351	1
17	Cable grommet	83000004	1
18	Connecting cable 2x1,5mm <sup>2</sup> 5m	80600403	1
19	Switch	80600506	1
20	LED holder	80601153	1
21	LED	80601154	1
22	Screw 4,8x60	80201285	4
23	Gearbox housing	76721400	1
24	Screw M5x16	80201446	2
25	Grooved ball bearing 6201 LUZ	80410101	3
26	Clamp ring	76721410	1
27	Bevel pinion	85000313	1
28	Bush 1	75412554	1
29	Compression spring	80200802	1
30	Bolt	75412425	1
31	Bush 2	75412555	1
32	Adjusting foil	82000516	1
33	Needle sleeve DL1012	80420116	1
34	Retaining ring 17x1	80201323	1
35	Bevel gear	85000314	1
36	Spacer 2	76711425	1
37	Retaining ring 42x1,75	80201335	1
38	Intermediate shaft	76721500	1
39	Work spindle	7672C420	1
40	Cap screw 3/8"	85000224	1

Pos.	Description	Item No.	pc.
41	Screw M5x45	80201231	4
42	Air guiding ring	80900284	1
43	End shield of gearing	76721610	1
44	Gear cover bush	76711410	1
45	Spacer 1	76711415	1
46	Grooved ball bearing 6004 2RS	80410051	2
47	Punched disc	76721405	1
48	Screw M5x30	80201616	3
49	Shaft seal 24x36x7	83000205	1
50	Retaining ring 42x1,75	80201349	1
51	Flange	76711580	1
52	Ring 6mm	76701587	2
53	Screw M6x8	80201212	1
54	Torsion spring	7671A577	1
55	Ring 3mm	76711585	2
56	Ring 10mm	76711588	2
57	Ring 19,5mm	76711581	1
58	Clamping sleeve	7672C425	1
59	Suction hood	7672C575	1
60	Parallel pin 4x80	80200636	4
61	Snap bolt M8	80110101	1
62	Screw 4,5x60	80201425	4
63	Grooved pin 4x12	80200582	2
64	Roll mounting	76721578	1
65	Roller 1	76711574	1
66	Axle	76711573	1
67	Lock washer 6	80201504	2
68	Spanner SW 6	80430043	1
69	Roller 2	7671A576	1
70	Clamp tube	76711577	1
71	Washer 8,4	80201391	1
72	Screw M8x80	80201222	1
73	Handle, compl.	73320595	1
74	Locking screw	76711407	1
75	Clamping lever	76711408	1
76	Retaining ring 11x1	80201320	1
77	Brush strip	76728597	1
78	Screw M4x6	80201462	2
79	Spring lock washer 5	80201302	4
80	Grease compartment	76721625	1



0672C000

# EMF 180.2 - 230 V

Version 01

Dated: 25.01.2022

Pos.	Description	Item No.	pc.
81	O-ring 58x1,5	83000209	1
82	Parallel pin 3x10	80200577	1
83	Screw M8x35	80201126	1
84	Washer 6,4	80201375	1
85	O-ring 26x2,6	83000090	1

