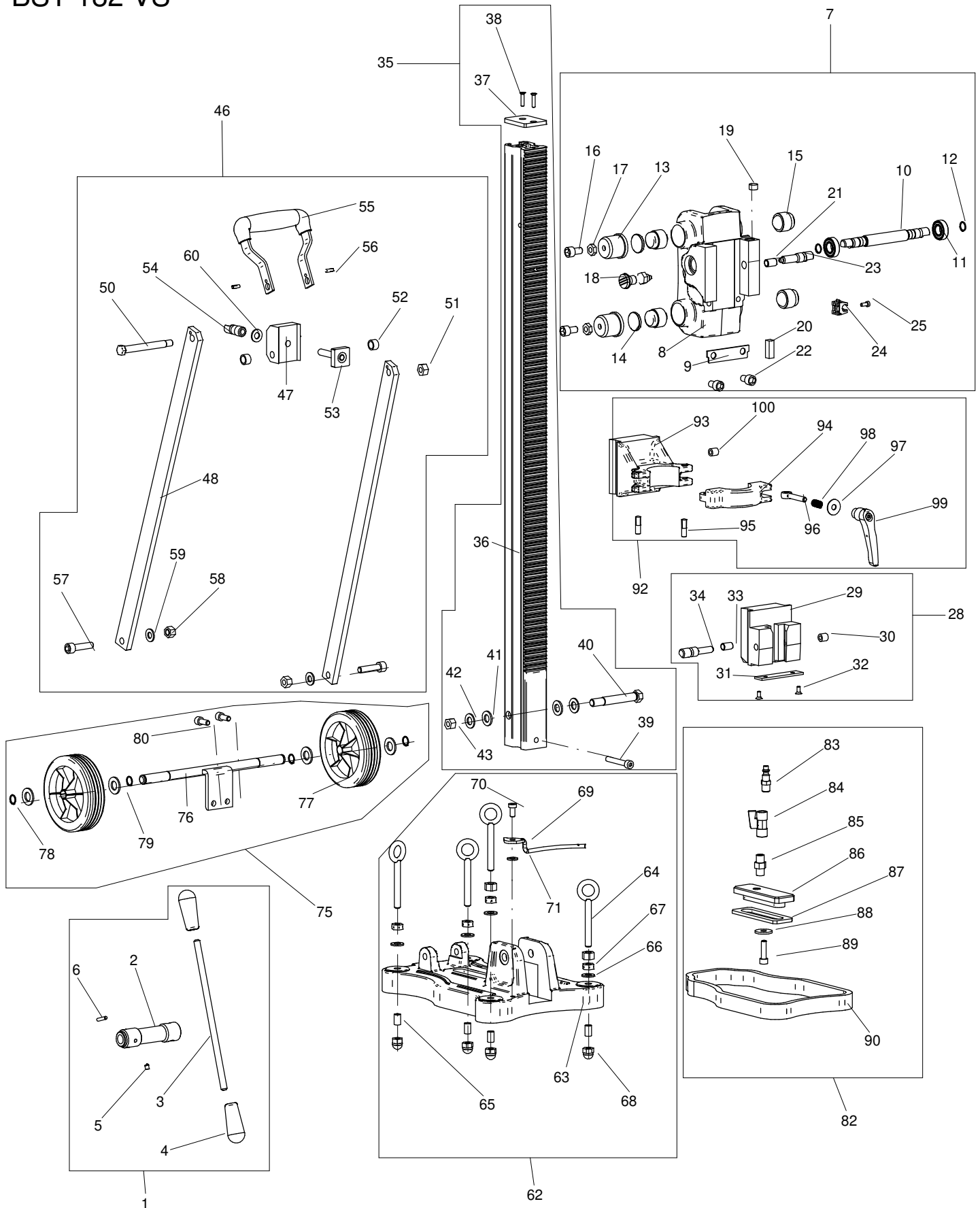




Suporte de perfuração
BST 182 VS





09646000

BST 182 VS

Version

01

Dated: 25.01.2022

Pos.	Description	Item No.	pc.
1	Turnstile, compl.	79600524	1
2	Turnstile	796UN524	1
3	Lever	796UN746	1
4	Knob	40600061	2
5	Spring loaded thrust piece	85000157	1
6	Parallel pin 5x24	80200588	1
7	Machine holder, compl.	79600316	1
8	Machine holder	796UN316	1
9	Bracket	796UN365	1
10	Pinion shaft	796UN512	1
11	Grooved ball bearing 6002 2RS	80410037	2
12	Retaining ring 15x1	80201322	2
13	Bushing	796UN305	2
14	Disc 30x4	40600017	2
15	Conductor ball roller	40600015	4
16	Screw M10x18	80201453	2
17	Nut M10	80201039	2
18	Lock pin M12x1,5	85000156	1
19	Circular level	85000153	1
20	Horizontal bubble level	85000152	2
21	Thread insert M12x18	85000177	1
22	Screw M10x16	80201166	2
23	Locking device	796UN535	1
24	Clamp	80600178	1
25	Screw M5x12	80201230	2
28	Double adapter, compl.	796T1032	1
29	Adaptor plate	796UN209	1
30	Drill bushing	80201051	1
31	Bracket	796UN701	1
32	Screw M5x12	80201226	2
33	Thread insert M10x20	85000181	1
34	Locking device	796UN531	1
35	Column, compl.	79600312	1
36	Column	796UN312	1
37	Column cap	796UN317	1
38	Screw M5x20	80201168	2
39	Screw M8x55	80201224	1
40	Screw M12x90	80201611	1
41	Washer 13 PA6	80201388	2
42	Washer 13	80201381	2

Pos.	Description	Item No.	pc.
43	Nut M12	80201036	1
46	Brace support, compl.	79600021	1
47	Supporting holder	796UN521	1
48	Supporting bracer	796UN304	2
50	Screw M10x100	80201612	1
51	Nut M10	80201034	1
52	Spacer sleeve	80200633	2
53	Square M10x60	796UN517	1
54	Locking device	796UN536	1
55	Handle	796UN543	1
56	Grooved pin 5x14	80200569	2
57	Screw M10x40	80201113	2
58	Nut M10	80201034	2
59	Washer 10,5 PA6	80201384	2
60	Washer 10,5	80201380	1
62	Base, compl.	79600311	1
63	Base	796UN311	1
64	Ring screw M10x80	80201242	4
65	Thread insert M10x15	85000183	4
66	Washer 10,5	80201380	4
67	Nut M10	80201033	6
68	Nut M10	80201015	4
69	Centring display	796UN341	1
70	Screw M8x16	80201160	1
71	Washer 8,4 PA6	80201383	1
75	Wheel axle compl.	796T1087	1
76	Wheel axle	796UN538	1
77	Solid rubber wheel	85000178	2
78	Retaining ring 14x1	80201318	4
79	Washer 15	80201352	4
80	Screw M6x20	80201124	2
82	Vacuum set	3585F000	1
83	Plug-in nipple	83000104	1
84	Mini ball valve	83000600	1
85	Double nipple	85000147	1
86	Vacuum cover	796UN348	1
87	Gasket	796UN347	1
88	Washer 9x28	80201372	1
89	Screw M8x30	80201143	1
90	Vacuum rubber	796UN333	1



09646000

BST 182 VS

Version 01

Dated: 25.01.2022

Pos.	Description	Item No.	pc.
92	Adaptor compl.	79613035	1
93	Adaptor	796R1810	1
94	Bow	796R1815	1
95	Grooved pin 8x30	80200621	2
96	Eye bolt M8x50	80201112	1
97	Washer 8,4	80201391	1
98	Compression spring	85000192	1
99	Clamping lever M8	85000169	1
100	Drill bushing	80201051	1