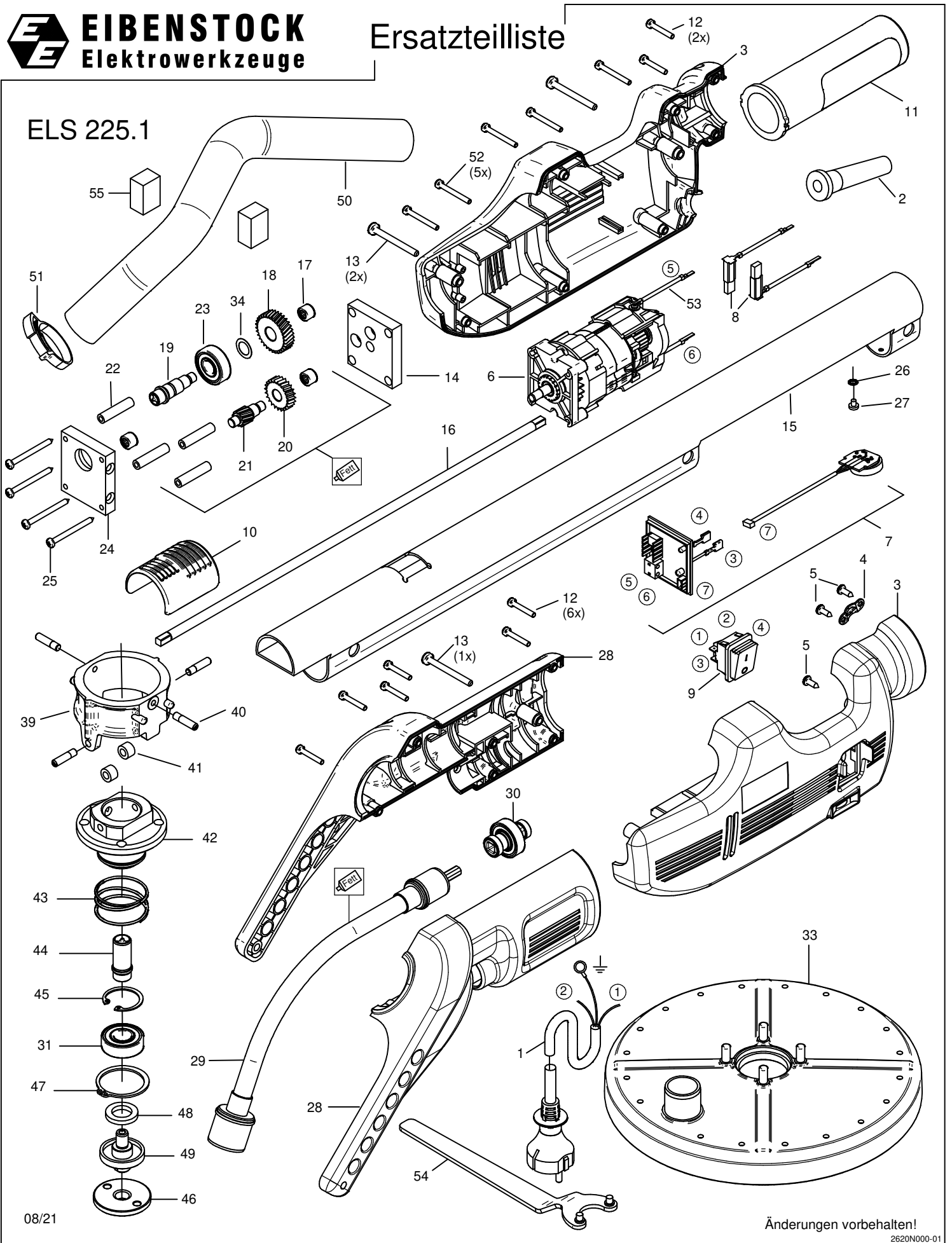




Ersatzteilliste

ELS 225.1





0620N000

ELS 225.1 - 230 V

Version

01

Dated: 25.01.2022

Pos.	Description	Item No.	pc.
1	Connecting cable 3x1mm ² 5m	80600257	1
2	Cable grommet	83000004	1
3	Motor housing	7620L20U	1
4	Wire locking flange	85000020	1
5	Screw 4,2x13	80201270	3
6	Motor, compl. 230V	7701110U	1
7	Printed circuit board 230V	7620L280	1
8	Carbon brush, compl. 5x8	80700032	2
9	Switch	80600515	1
10	Air flow controller	7620L255	1
11	Handle	7620L253	1
12	Screw 4x25	80201412	8
13	Screw 5x40	80201439	3
14	Bearing shield	7620L610	1
15	Guide bar	7620N250	1
16	Rod	7620L510	1
17	Needle sleeve HK0808	80420105	3
18	Spindle wheel	7620L430	1
19	Spindle	7620L420	1
20	Gear 1	7620L470	1
21	Intermediate shaft	7620L500	1
22	Bushing	7620L615	4
23	Grooved ball bearing 6001 2RS	80410032	1
24	Cover	7620L620	1
25	Schraube 4,2x60	80201519	4
26	Tooth lock washer 4,3	80200752	1
27	Screw M4x6	80201200	1
28	Arm segments	7620L26U	1
29	Flexible shaft	7620L598	1
30	Adapter, compl.	7620L522	1
31	Grooved ball bearing 6002 2RSL	80410038	1
33	Suction hood	7620N575	1
34	Shim ring 12x18x0,2	80200502	1
39	Ring	7620L677	1
40	Screw M6x25	80201520	4
41	Spacer 6,5x12x8	80200400	2
42	Spindle bearing socket	7620L670	1
43	Compression spring	80200684	1
44	Spindle adapter	7620L530	1
45	Retaining ring 32x1,2	80201351	1

Pos.	Description	Item No.	pc.
46	Lock nut	76203935	1
47	Retaining ring 40x1,75	80201348	1
48	Felt ring	83000500	1
49	Spindle for hood	7620L680	1
50	Suction hose	7620L590	1
51	Hose clamp	83000510	1
52	Screw 4x40	80201440	5
53	Wire	80600077	2
54	Face spanner	80430042	1
55	Foam filler	80600306	2