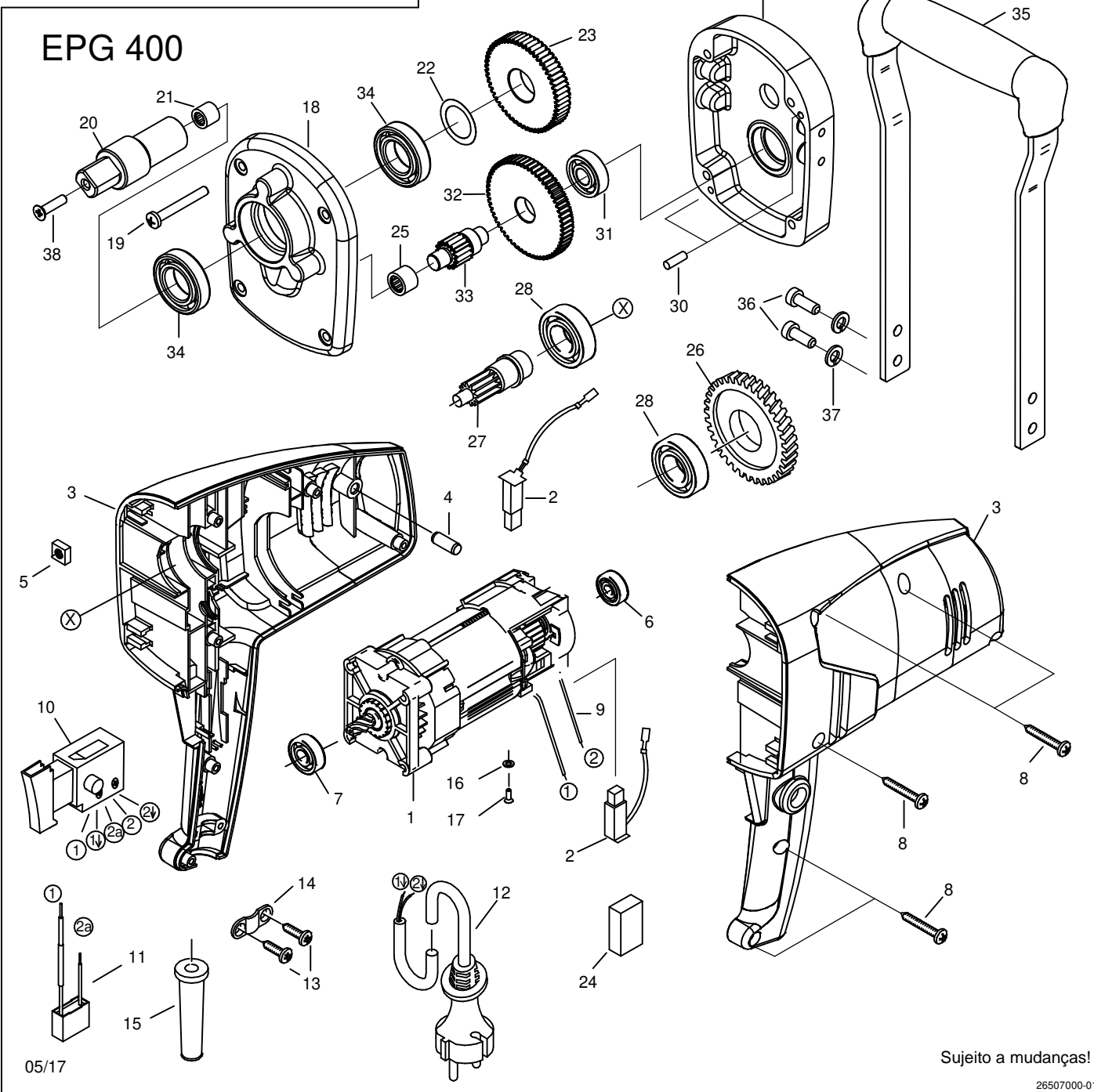




EIBENSTOCK
Elektrowerkzeuge

Lista de peças

EPG 400



05/17

Sujeito a mudanças!

26507000-01



06509000

EPG 400 - 230 V

Version

01

Dated: 25.01.2022

Pos.	Description	Item No.	pc.
1	Motor 230V	7650710U	1
2	Carbon brush, compl. 5x8	80700035	2
3	Motor housing	7701C200	1
4	Silicone plug 6x15	80901055	2
5	Nut M5	80201031	4
6	Grooved ball bearing 626 2RSL	80410025	1
7	Grooved ball bearing 608 2RSL C3	80410026	1
8	Screw 4,2x19	80201229	6
9	Wire	80600077	2
10	Switch	80600135	1
11	Capacitor	77018305	1
12	Connecting cable 2x1mm ² 5m	80600245	1
13	Screw 4,2x9,5	80201269	2
14	Wire locking flange	85000020	1
15	Cable grommet	83000004	1
16	Washer 4,3	80201371	2
17	Screw 2,9x9,5	80201251	2
18	Gearbox housing	76507400	1
19	Screw M5x40	80201207	4
20	Work spindle	76507420	1
21	Needle sleeve HK0810	80420110	1
22	Fitting washer 20x28x0,1	80200509	1
23	Spindle wheel	76507430	1
24	Foam filler	80600306	1
25	Needle sleeve HK1010	80420115	1
26	Intermediate wheel	75502471	1
27	Shaft with pinion	77011500	1
28	Grooved ball bearing 6003 2RS	80410043	2
29	End shield of gearing	76507610	1
30	Grooved pin 4x12	80200582	2
31	Grooved ball bearing 6000 2RS	80410023	1
32	Intermediate wheel	76507470	1
33	Intermediate shaft	76507480	1
34	Grooved ball bearing 6904 2RS	80410152	2
35	Bow handle	80200088	1
36	Screw M6x14	80201428	4
37	Spring lock washer 6	80201303	4
38	Screw M6x20	80201158	1

06509DIA

Version: 01