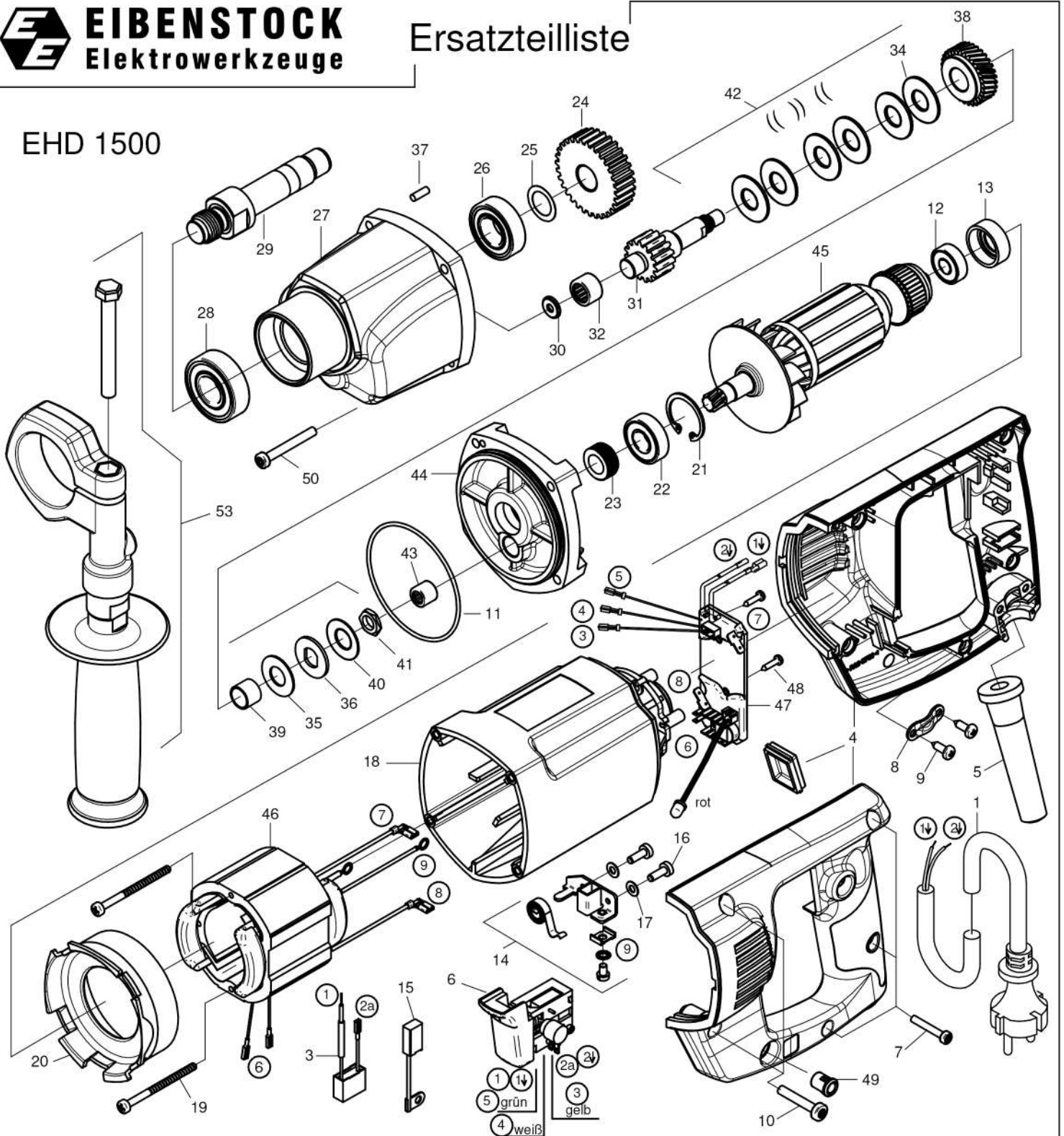


EHD 1500



08/21

gültig ab Seriennummer: 2021 2214

Änderungen vorbehalten!

23E11000-02



03E11000

EHD 1500 - 230 V

Version

02

Dated: 25.01.2022

Pos.	Description	Item No.	pc.
1	Connecting cable 2x1mm ² 3m	80600470	1
3	Capacitor	73E31305	1
4	Pair of handle halves	80900217	1
5	Cable grommet	83000004	1
6	Switch	80600512	1
7	Screw 4x25	80201412	3
8	Wire locking flange	85000020	1
9	Screw 4x12	80201413	2
10	Screw 5x30	80201411	2
11	O-ring 72x2	83000182	1
12	Grooved ball bearing 608 2Z	80410011	1
13	Bearing cap	67111012	1
14	Brush holder, compl.	80201196	2
15	Carbon brush 6,3x10x18	80700013	2
16	Screw M4x12	80201180	4
17	Spring washer 4	80201385	4
18	Motor housing	73E1120A	1
19	Screw 3,9x70	80201265	2
20	Air guiding ring	80900148	1
21	Retaining ring 28x1,2	80201333	1
22	Grooved ball bearing 6001 2Z	80410031	1
23	Worm seal	73110125	1
24	Spindle wheel	73110430	1
25	Shim ring 15x21x0,2	80200504	1
26	Grooved ball bearing 6003 2RS	80410043	1
27	Gearbox housing	73E11400	1
28	Grooved ball bearing 6203 2RS	80410130	1
29	Work spindle	73110420	1
30	Axial needle bearing AX 513	80420031	1
31	Clutch wheel	73116500	1
32	Needle sleeve HK1210B	80420131	1
34	Disc spring 28x12,2x1,25	80200714	6
35	Brass washer	85000040	1
36	Driving washer	73116496	1
37	Grooved pin 4x12	80200582	1
38	Clutch wheel	73116550	1
39	Cylinder bearing 1210 T	80420241	1
40	Disc spring 25x12,2x0,9	80200710	1
41	Nut M10x1	80201007	1
42	Clutch compl.	73116493	1

Pos.	Description	Item No.	pc.
43	Needle sleeve HK0810	80420110	1
44	End shield of gearing	73E11610	1
45	Rotor, compl. 230V	73E11100	1
46	Stator, compl. 230V	73116150	1
47	Printed circuit board, compl. 230V	73E1128U	1
48	Screw 2,9x13	80201252	2
49	LED holder	80601153	1
50	Screw 5x40	80201439	4
53	Side handle, compl.	73E11695	1

as of serial no.: 2021 2214