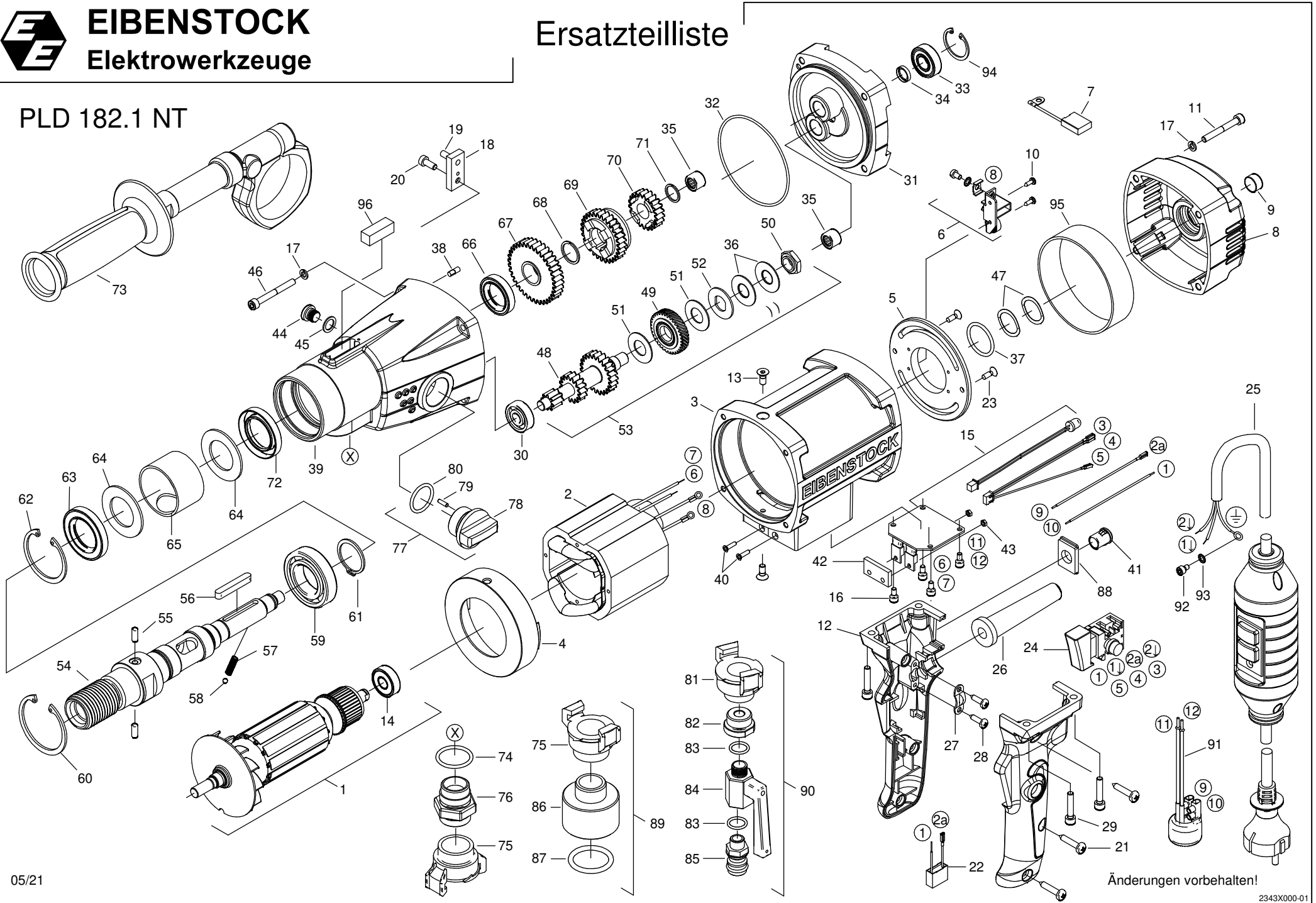




Ersatzteilliste

PLD 182.1 NT



0343X000 - PLD_182.1_NT Version: 01

as of serial no. 13 00 91

Pos.	Description	Item No.	pc.
1	Rotor, compl. 230V	7343X100	1
2	Stator, compl. 230V	73T11150	1
3	Motor housing	7343X203	1
4	Air guiding ring	7343X140	1
5	Holder	80901010	1
6	Brush holder, compl.	80201199	2
7	Carbon brush 6,3x16x20	80700044	2
8	Cap	7333M240	1
9	Circular level	85000153	1
10	Screw 2,9x9,5	80201251	4
11	Screw M5x40	80201219	4
12	Pair of handle halves	80900211	1
13	Screw M5x12	80201226	2
14	Grooved ball bearing 6000 2Z	80410021	1
15	Printed circuit board 230V	80601526	1
16	Screw M4x8	80201550	4
17	Spring lock washer 5	80201302	8
18	Gear lever	73331542	1
19	Parallel pin 5x14	80200579	1
20	Screw M5x12	80201230	1
21	Screw 4,8x25	80201281	3
22	Capacitor	73339305	1
23	Screw M4x10	80201642	2
24	Switch	80600501	1
25	Connecting cable PRCD 3x1,5mm ² 5m	73E33262	1
26	Cable grommet	83000004	1
27	Wire locking flange	85000020	1
28	Screw 4,2x16	80201271	2
29	Screw M5x25	80201127	4
30	Grooved ball bearing 629	80410015	1
31	End shield of gearing	7333M610	1
32	O-ring 90x2	83000173	1
33	Grooved ball bearing 6001 2RS	80410032	1
34	Shaft seal 10x14x3	83000075	1
35	Needle sleeve HK1010	80420115	2
36	Disc spring 28x14,2x1,25	80200715	2
37	O-ring 26x2,6	83000090	1
38	Grooved pin 4x12	80200582	1
39	Gearbox housing	7343X400	1
40	Screw M3x12	80201538	2
41	LED holder	80601153	1
42	Cooling plate	7334N282	1
43	Nut M3	80201001	2
44	Cap screw 1/8"	80201406	1
45	Seal ring 1/8"	83000106	1
46	Screw M5x45	80201220	4

47	Spring	80200702	2
48	Intermediate shaft	73331490	1
49	Clutch wheel	73331560	1
50	Nut M12x1	73E31497	1
51	Brass washer 28,5x14,2x1	85000082	2
52	Driving washer	73331496	1
53	Clutch, compl.	73E31493	1
54	Work spindle	73334420	1
55	Parallel pin 5x12	80200574	2
56	Parallel key 5x5x40	80200612	1
57	Pressure spring	80200698	1
58	Ball	80410082	1
59	Grooved ball bearing 60/28 2RS	80410155	1
60	Retaining ring J52x2	80201392	1
61	Retaining ring 28x1,5	80201328	1
62	Retaining ring 47x1,75	80201336	1
63	Shaft seal 28x47x7	83000029	1
64	Scraper	73334425	2
65	Spacer block	73334423	1
66	Shaft seal 22x35x7	83000077	1
67	Loose wheel 1	73331460	1
68	Circlip SW18	80200746	1
69	Shifting gear	73331550	1
70	Loose wheel 2	73331470	1
71	Circlip SW14	80200747	1
72	Shaft seal 28x45x7	83000094	1
73	Side handle	7343P695	1
74	Seal ring 3/4"	83000120	1
75	Quick coupling 3/4"	73E31958	2
76	Double-screwed nipple	73334405	1
77	Gear change, compl.	7343X545	1
78	Switch button	7343X540	1
79	Parallel pin 3x10	80200577	1
80	O-ring 22x2,5	83000036	1
81	Quick coupling 1/2", compl.	73E31953	1
82	Reducing nipple	83000128	1
83	Seal ring 1/4"	83000107	2
84	Ball valve	83000141	1
85	Connecting piece	83000124	1
86	Adaptor	76RK4975	1
87	O-ring 35x4	83000047	1
88	Cover	73345267	1
89	Adaptor, compl.	73E31955	1
90	Water connector, compl.	73E31950	1
91	Inductor	73T11175	1
92	Screw M4x6	80201218	1
93	Tooth lock washer 4,3	80200752	1
94	Retaining ring 28x1,2	80201333	1
95	Insulating sleeve	7333M224	1
96	Horizontal bubble level	85000152	1