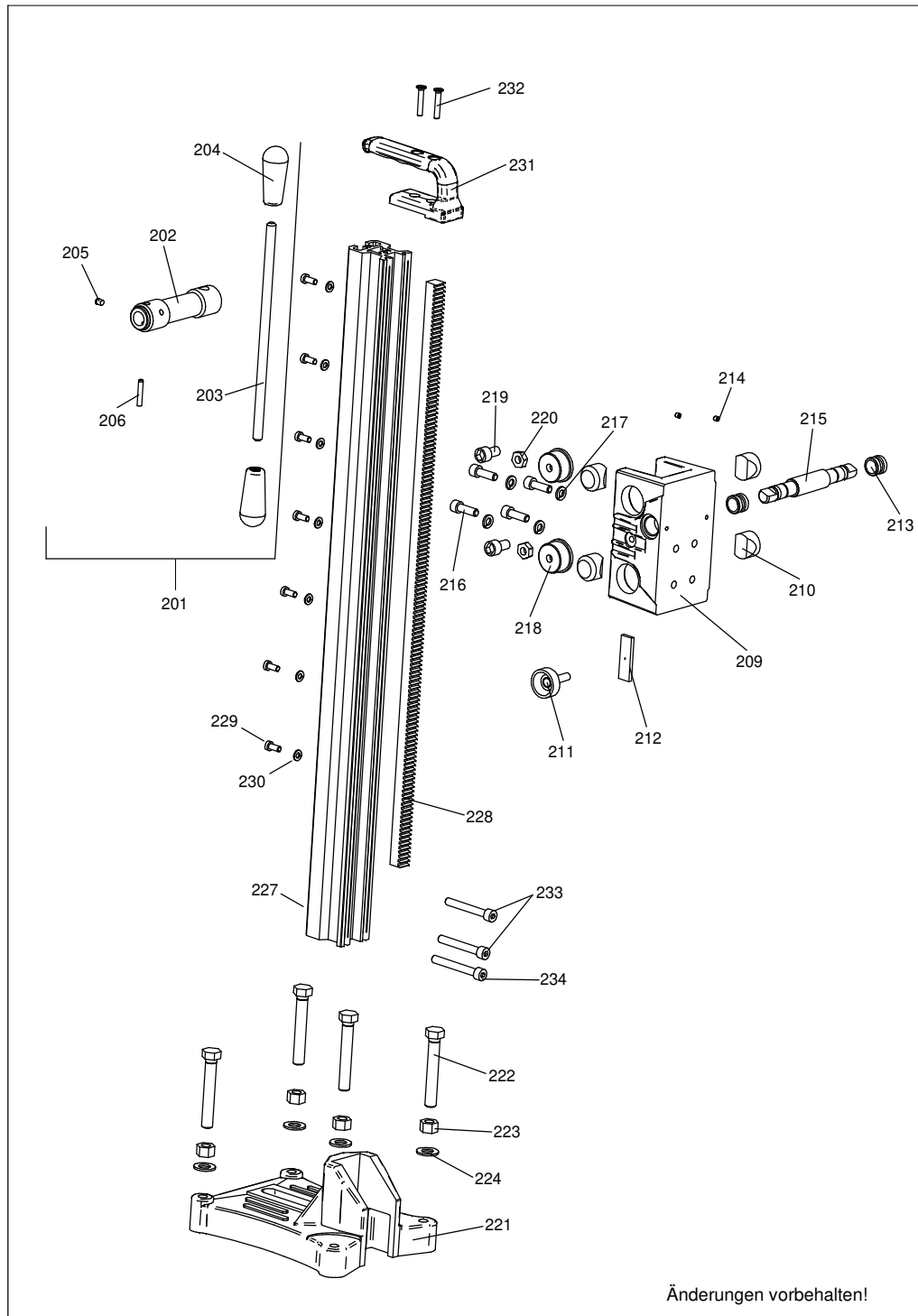
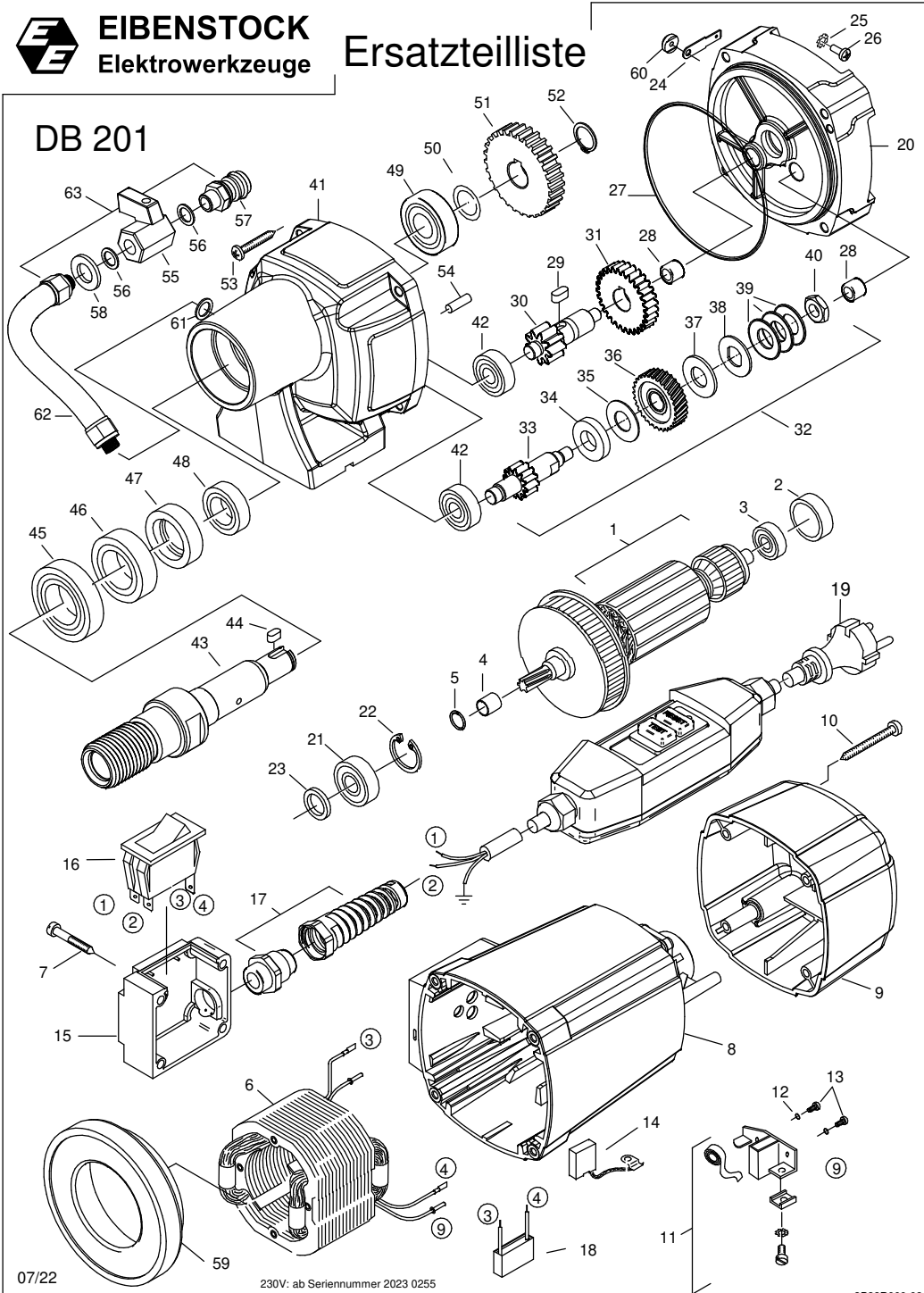


DB 201





OB33R000

DB 201 - 230V

Version

03

Dated: 18.09.2023

Pos.	Description	Item No.	pc.	(*)	Pos.	Description	Item No.	pc.	(*)
1	Rotor, compl. 230V	73631100	1		41	Gearbox housing	7B33E400	1	
2	Bearing cap	83000031	1		42	Grooved ball bearing 6000	80410020	2	
3	Grooved ball bearing 6000 2Z	80410021	1		43	Work spindle	73430420	1	
4	Sealing bush 12x15x12,5	80420160	1		44	Parallel key 6x6x11	73430496	1	
5	Circlip SW12	80200748	1		45	Grooved ball bearing 6205 2RS	80410151	1	
6	Stator, compl. 230V	73511150	1		46	Shaft seal 24x47x7	83000072	1	
7	Screw 5,5x38	80201292	4		47	Shaft seal 24x40x7	83000076	1	
8	Motor housing	7B33E201	1		48	Shaft seal 24x33x5	83000162	1	
9	Cap	674E1001	1		49	Grooved ball bearing 6203 2RS	80410130	1	
10	Screw 4,8x45	80201267	4		50	Shim ring 17x24x0,2	80200507	1	
11	Brush holder, compl.	80201199	2		51	Spindle wheel	73311430	1	
12	Spring washer 4	80201385	4		52	Retaining ring 17x1	80201323	1	
13	Screw M4x12	80201180	4		53	Screw 5,5x70	80201298	4	
14	Carbon brush 6,3x16x20	80700044	2		54	Grooved pin 5x16	80200580	1	
15	Switch box	73511630	1		55	Mini ball valve 1/4x1/4"	83000117	1	
16	Switch	80600157	1		56	Seal ring 1/4"	83000107	2	
17	Cable gland M20x1,5	80600179	1		57	Connecting piece	83000124	1	
18	Capacitor	80500010	1		58	Washer 13,5	80201382	1	
19	Cable PRCD 3x1,5mm ² 3m	7B334262	1		59	Air guiding ring	73511141	1	
20	End shield of gearing	7B33E610	1		60	Locking nut M4	73631188	1	
21	Grooved ball bearing 6201 LUZ	80410101	1		61	Seal ring 1/8"	83000106	1	
22	Retaining ring 32x1,2	80201351	1		62	Connecting hose	83000109	1	
23	Shaft seal 15x21x3	83000042	1		63	Water connector, compl.	73636950	1	
24	Ground connector	80601189	1		201	Turnstile, compl.	79600524	1	
25	Tooth lock washer 4,3	80200752	1		202	Turnstile	796UN524	1	
26	Screw M4x8	80201451	1		203	Lever	796UN746	1	
27	O-ring 106x2	83000092	1		204	Knob	40600061	2	
28	Needle sleeve HK0810	80420110	2		205	Spring loaded thrust piece	85000157	1	
29	Parallel key 5x5x10	80200600	1		206	Parallel pin 5x24	80200588	1	
30	Intermediate shaft 2	73311500	1		209	Machine holder	796UN791	1	
31	Intermediate wheel	7B336470	1		210	Thrust piece	796UN763	4	
32	Clutch, compl.	7B336493	1		211	Knurled screw M8x25	85000158	1	
33	Intermediate shaft 1	7B336490	1		212	Clamping piece	796UN779	1	
34	Pressure washer	7B334499	1		213	Steel bush	796UN770	2	
35	Brass washer 28,5x14,2x1	85000082	1		214	Threaded pin M5x5	80200758	2	
36	Clutch wheel	7B334550	1		215	Pinion shaft	796UN505	1	
37	Brass washer 28,5x14,1x2	85000084	1		216	Screw M8x25	80201145	4	
38	Driving washer	73331496	1		217	Spring lock washer 8	80201309	4	
39	Disc spring 28x14,2x1,5	80200716	3		218	Fitting	796DE766	2	
40	Nut M10x1	80201007	1		219	Screw M10x18	80201453	2	

as of serial no.: 2023 0255



OB33R000

DB 201 - 230V

Version 03

Dated: 18.09.2023

Pos.	Description	Item No.	pc.	(*)	Pos.	Description	Item No.	pc.	(*)
220	Nut M10	80201039	2						
221	Base	796UN886	1						
222	Screw M12x80	80201118	4						
223	Nut M12	80201014	4						
224	Washer 13	80201381	4						
227	Column	796UN062	1						
228	Gear rack	796UN061	1						
229	Screw M6x14	80201428	7						
230	Spring lock washer 6	80201300	7						
231	Open handle	796DE820	1						
232	Screw M6x30	80201148	2						
233	Screw M8x60	40600006	2						
234	Screw M8x65	80201114	1						

as of serial no.: 2023 0255